

LITHIUM- ION BATTERIES

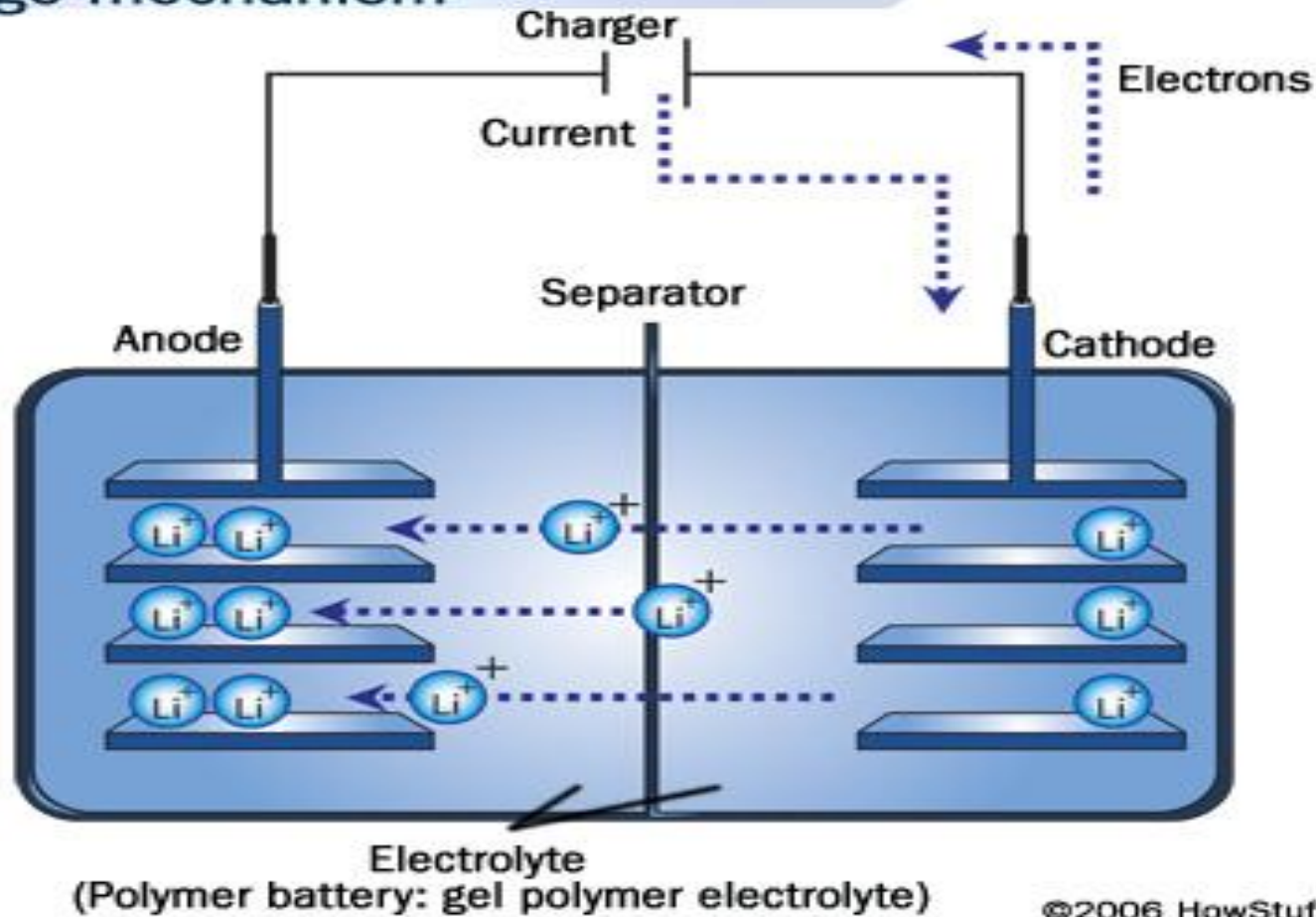
PRAVIN PAUDEL

paudel@chem.sc.edu

Department of Chemistry

INTRODUCTION

Lithium-ion rechargeable battery Charge mechanism



Advantages Of Lithium Ion Batteries:

- High energy density: Double than of Nickel-Cadmium Batteries
- Wide variety of shapes and sizes and lighter than other batteries
- Do not need prolonged priming
- Relatively slow self-discharge rate than other batteries. Only 5-10% per month
- No memory effect.